

WELCOME TO

The August 2006

Open Science Grid

Consortium Meeting

University of Washington, Seattle
Physics Department

Our Department

On Behalf of Our Department, Welcome!

Department of over 50 faculty and several
100 graduate students

- Small Distance Gravity
- Neutrino Oscillations
- Institute for Nuclear Theory
- Atomic & Condensed Matter
- High Energy Physics
- String Theory

Our Building is 10 Years Old

If you look carefully you can find a crack or
two from the earthquake...



Seattle

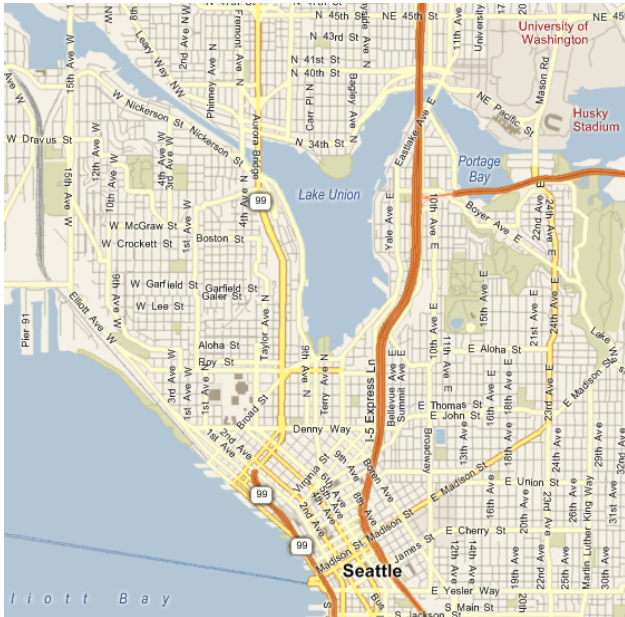
More Restaurants Per Capita

We've listed a few in your information packet...

Boeing (747 Tour), Microsoft...

Pike Place Market, The Locks, Museums, The Water Front(s)

View From Downtown Lookout Deck



Great Bus System...



Weather...

This is normal...



But not this...

Enjoy it!!

Weather for Seattle, WA

55°F

Clear

Wind: SE at 4 mph

Humidity: 88%

Mon



81° | 55°

Tue



74° | 53°

Wed



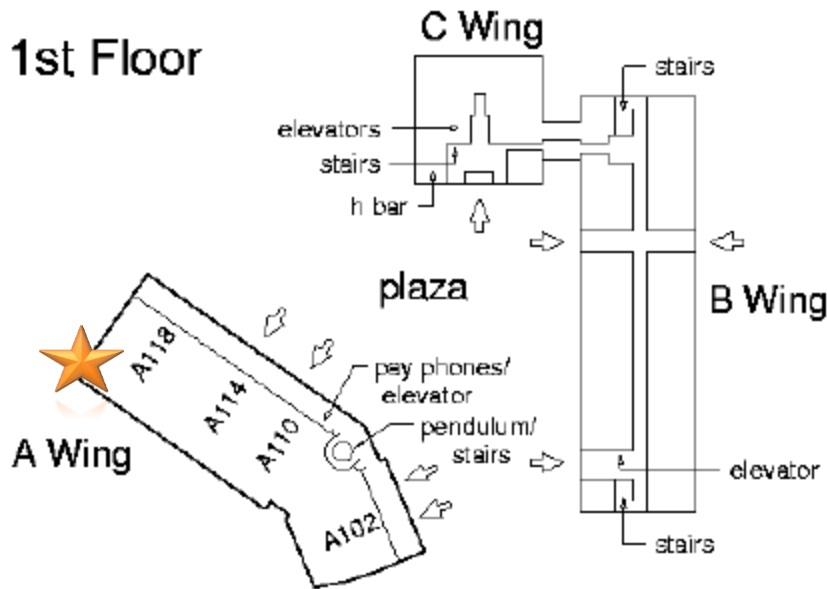
76° | 53°

Thu



76° | 52°

The Facilities



Plenary Sessions: A118

Parallel Sessions: A118, A212, A214

Coffee Breaks, Breakfast, and Lunch: Atrium outside A118

All Rooms will have LCD Projectors
Plenary Room has a computer

We do have extra rooms available for ad-hoc meetings, as well as a small video-conferencing room.
Please ask!

Demonstrations

Tuesday Afternoon, 3:20PM, Outside A118

We have 5 Signed Up Currently:

- Hierarchical In-spiral Binary Search for Gravity Waves (LIGO)
- SRM-Tester: a Validation Tool for SRM based Ses
- Grid Exerciser
- OSG Compute Element Installation
- A Modular Information Provider Integrator to Support Site-Level MDS4
- NERSC Global File System Serving Grid Users



If You Are planning a demo and it isn't on this list... Please talk to me!

The People

Gordon Watts – Local Organizer

Susan Carpenter-Brandt – Administrative Lead

Todd Olsen – Computer Support

Steffi Forg – Administrative Help

Dave Nichols – Administrative Help & Computer Support

Do Not Hesitate To Contact Us With Questions!

Most Of All, Enjoy

Let Us Know if there is anything we can do to improve the meeting – don't hesitate to ask one of us!

And I hope you'll be able to explore a bit of Seattle!

